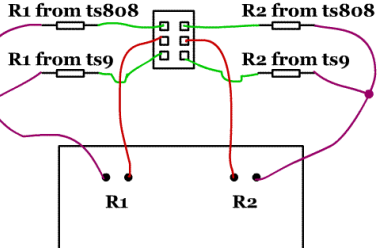
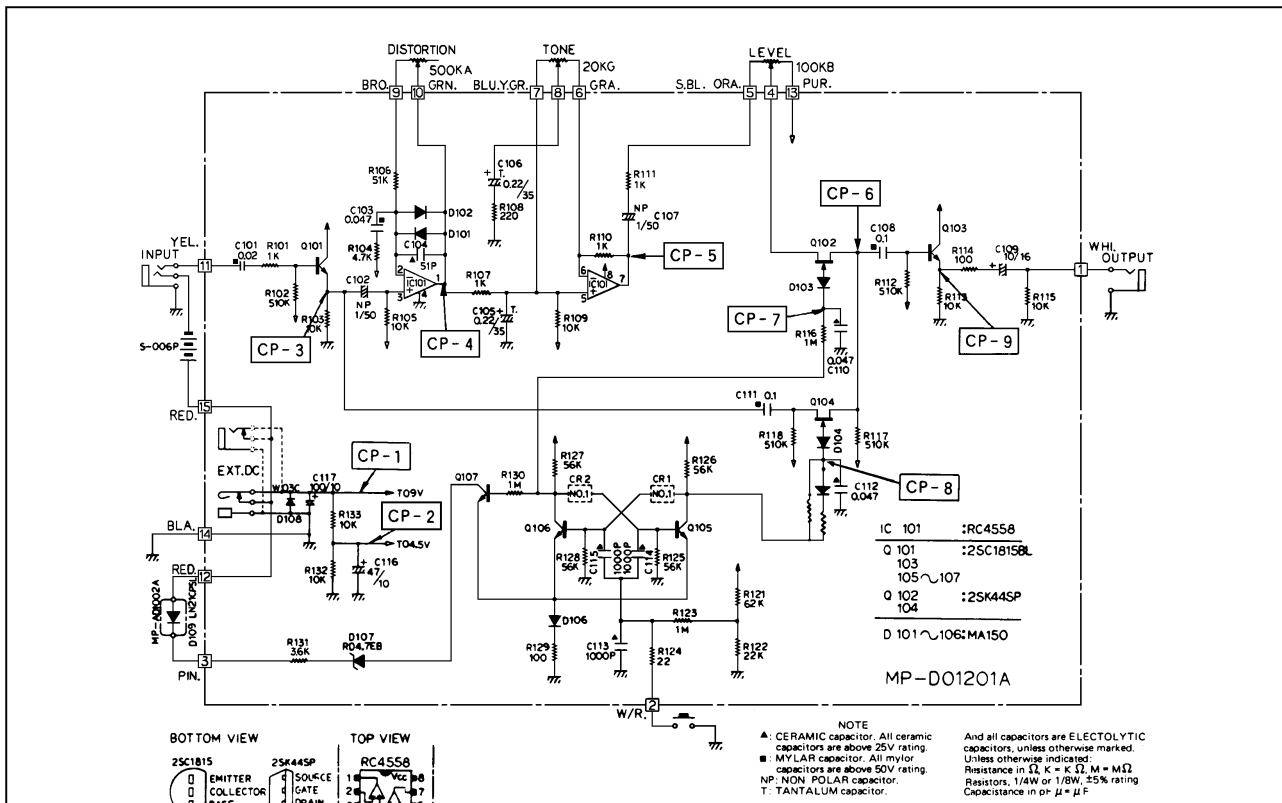


Dual resistor switching DPDT Switch

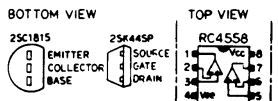


HomemadeFX

HomemadeFX



IC 101	:RC4558
Q 101	:2SC1815BL
103	
105~107	
Q 102	:2SK445P
104	
D 101~106	:MA150



NOTE
 ▲ CERAMIC capacitor. All ceramic capacitors are above 25V rating.
 ■ MYLAR capacitor. All mylar capacitors are above 50V rating.
 NP: NON POLAR capacitor.
 T: TANTALUM capacitor.
 And all capacitors are ELECTROLYTIC capacitors, unless otherwise marked. Unless otherwise indicated: Resistance in Ω, K = K Ω, M = M Ω Resistors: 1/4W or 1/8W, ±5% rating Capacitance in p or μ = μ F