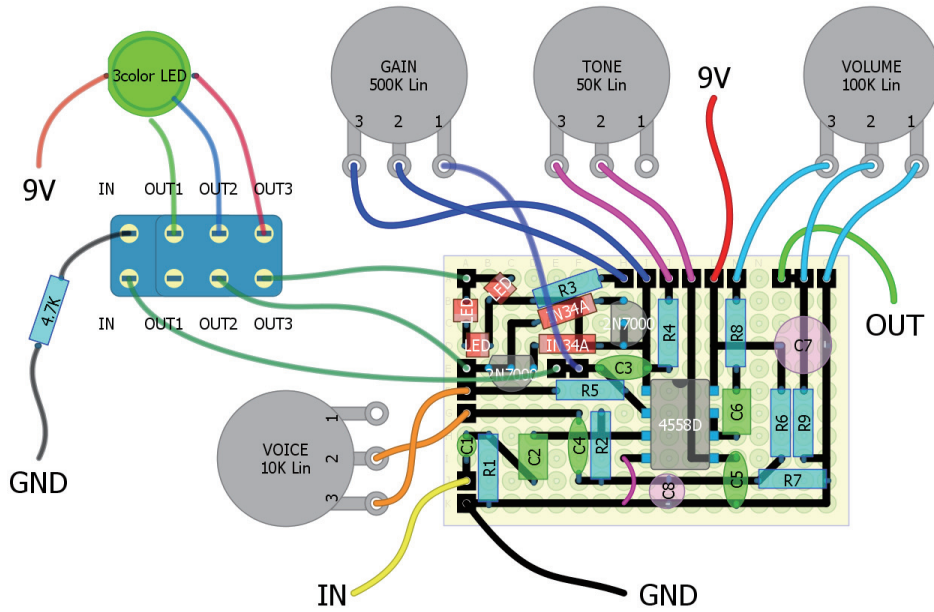


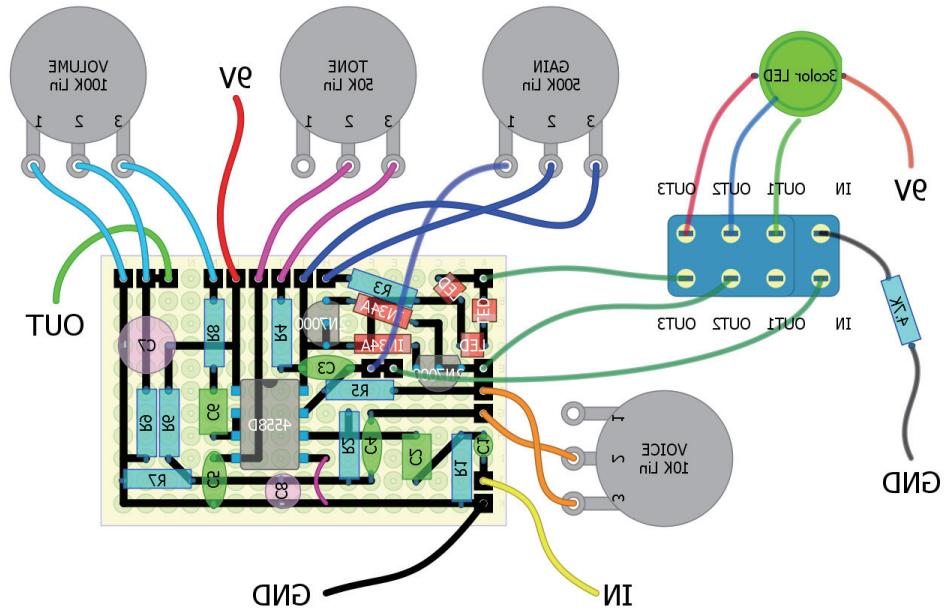
ZENKUDO

schematic drawn by Soulsonic Layout by KC_solderman



ZENKUDO

schematic drawn by Soulsonic Layout by KC_solderman



禅駆動部品表 (ZENKUDO Bill of Materials)

<<Resistor>>		(particulars/notes)	<<Diode>>	
R1	2M	(Carbon Film)	D1	1N34A
R2	470K	(Carbon Composition)	D2	1N34A
R3	10K	(Carbon Composition)	D3	LED Red
R4	10K	(Carbon Composition)	D4	LED Red
R5	1K	(Carbon Composition)	D5	LED Red
R6	10K	(Carbon Composition)	<<Variable Resistor>>	
R7	10K	(Carbon Composition)	VOLUME	100KB
R8	1K	(Carbon Composition)	TONE	50KB
R9	2M	(Carbon Film)	GAIN	500KB
RX	4.7M	for LED	VOICE	10KB
<<Capacitor>>			<<others>>	
C1	0.01u	(Multilayer Ceramic)	3 color LED	
C2	0.47u	(AVX metallized polyester film)	DP3T Slide Switch	
C3	100p	(Panasonic polyester film)		
C4	0.1u	(Multilayer Ceramic)		
C5	0.0033u	(Panasonic polyester film)		
C6	0.47u	(AVX metallized polyester film)		
C7	100u	(Toshiba electrolytic (Standard))		
C8	47u	(Toshiba electrolytic (Standard))		
<<IC>>				
IC	JRC4558D	(1980's vintage)		
Q1	2N7000			
Q2	2N7000			

各部品の脇に書いてある () は、分かる範囲のオリジナルの仕様です。こだわる人はどうぞ。