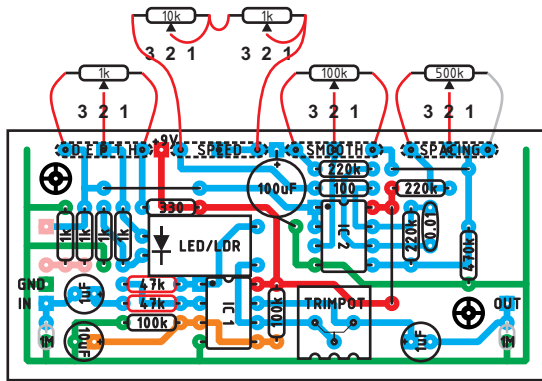


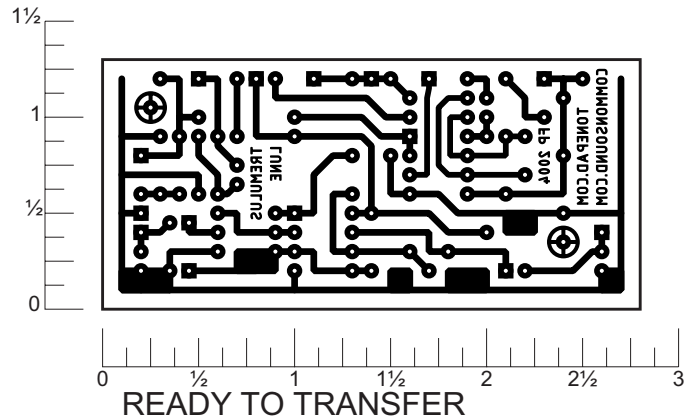
# TREMULUS LUNE

Rev.1.Aug.27.2004

Build the [www.commonsound.com](http://www.commonsound.com) Tremulus Lune. The LDR should have a light resistance of 5k and a dark resistance of 500k. Off board components except for the potentiometers are not shown on the layout. Trademarks are property of their owners.



LAYOUT



## Parts List

### Resistors

- 1 - 100 ohm
- 1 - 330 ohm
- 4 - 1k
- 2 - 47k
- 2 - 100k
- 3 - 220k
- 1 - 470k
- 2 - 1M

### Capacitors

- 1 - 0.01 $\mu$ F
  - 2 - 1 $\mu$ F
  - 1 - 10 $\mu$ F
  - 1 - 100 $\mu$ F
- Ics**
- IC1 - TL072
  - IC2 - 4558

### Pots

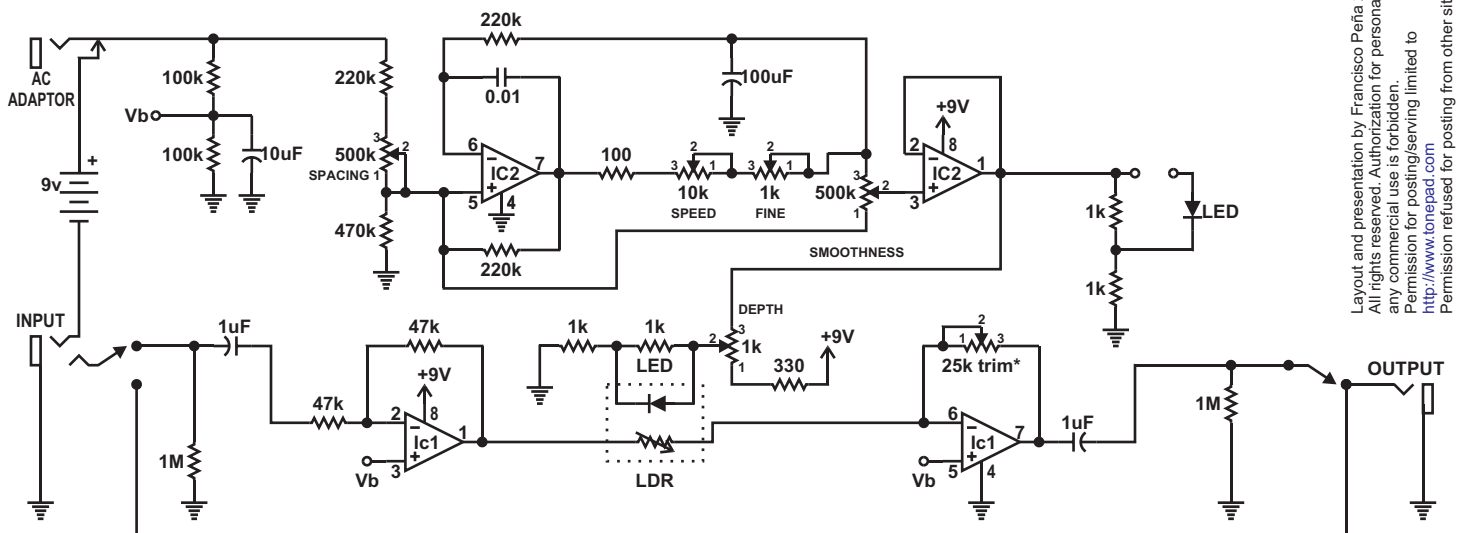
- 2 - 1k
- 1 - 10k
- 2 - 500k
- 1 - 25k trim\*

### Other

- 1 - LED
- 1 - VTL5C2 or LED/LDR

\* may need to be 100k depending on LDR used

## Schematic



Layout and presentation by Francisco Peña 2001-2004@  
 All rights reserved. Authorization for personal use only.  
 any commercial use is forbidden.  
 Permission for posting/serving limited to  
<http://www.lonepad.com>  
 Permission refused for posting from other sites.